

Waterdispenser Type Dispenser



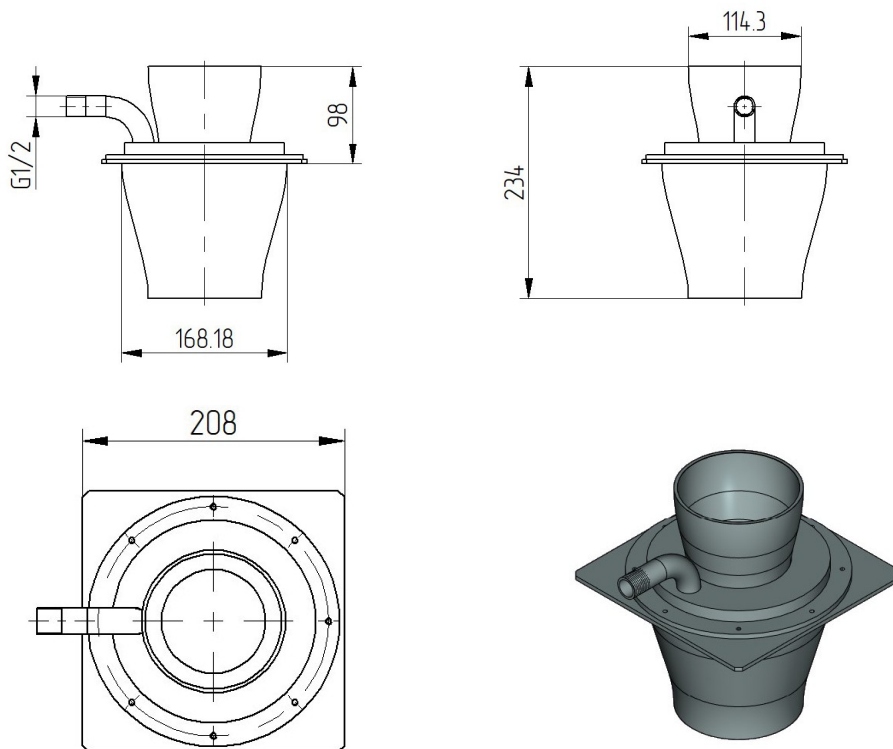
Technical description

When powdery media hit the water surface during mixing, clumps often form. This is where our waterdispenser comes into play. The powdery medium is dosed in our device through the large opening. A water mist is generated by 8 nozzles mounted on the underside of the hopper. As a result, the powder is already wetted with water before it hits the water surface. **Clumping is prevented!** The waterdispenser is made entirely of stainless steel and is therefore easy to clean. The maintenance effort is very low.

Technical data

Material Waterdispenser	Stainless steel 1.4301
Diameter Powder Dosing	ca. 114mm
Water connection	G1/2" Screw Thread
Flange	208mm x 208mm
Number nozzles	8

Technical drawing



Order code

Art No.	Excecution
88-000038	Standard like technical drawing and discription