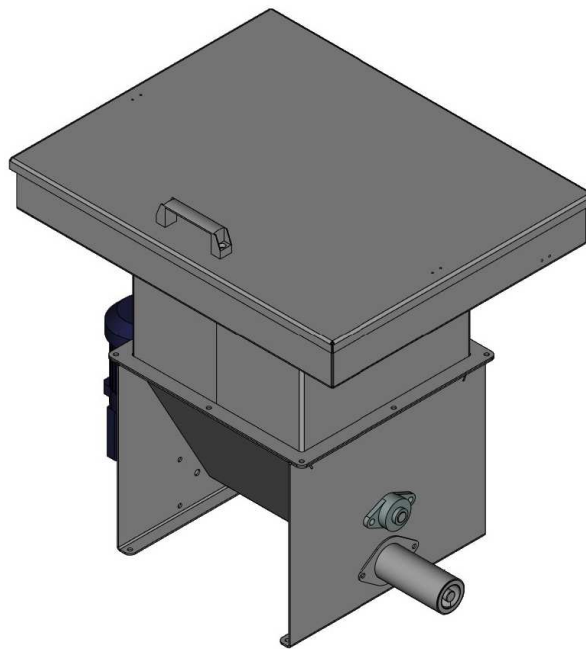


# Dry-material-feeder Type TGD 301



Features

- Very accurate dosing of the powdered dry material
- No crushing of the product
- Heater in the discharge pipe
- Stainless steel (1.4541) funnel and console
- Continuous screw for complete emptying of the screw-trough
- Motor without forced ventilator
- Prevention of tunnel and bridge formation by mixing shaft
- Option: individual expandable (for example with stainless steel frame, side channel blower, etc.)

Technical description and process

Get your dosing process under control with the **waterprocesstec Dry-Material-Feeder**. It is suitable for a lot of different dry materials.

The **waterprocesstec Dry-Material-Feeder** have a high volume inlet funnel. In this funnel rotate a continuous screw. The screw transports the dry material to the discharge pipe. A mixing shaft prevented the tunnel and bridge formation, which the screw forms a tunnel in the product, so no material slides down. The discharge pipe is equipped with a heater. It is important to eliminate the deposit of the product.

Our **Dry-Material-Feeder TGD 301** ensures an absolutely exact dosing of your dry material. It combines the most advanced technology to reach the highest level of security.



## Dry-material-feeder TGD 301

### Options

To integrate our Dry-Material-Feeder optimally in your process, we can offer many optional extensions.

- **Big Bag Frame** with **vibrator** for the prevention of the tunnel and bridge formation as well for the completely emptying of residues of the Big Bag.
- **Stainless steel frame** to integrate the Dry-Material-Feeder and the options safely and compact to your process.
- **Side cannel blower** for the transport and the compression of the dry material.
- **Sensors** (limit switches) to check the filling level of the funnel.
- **Funnel structure** to enlarge the funnel volume.
- **Grid**, for filtering the product of foreign bodys.
- **Electrical locking switches** for covers, grid and/or noise insulating hood.



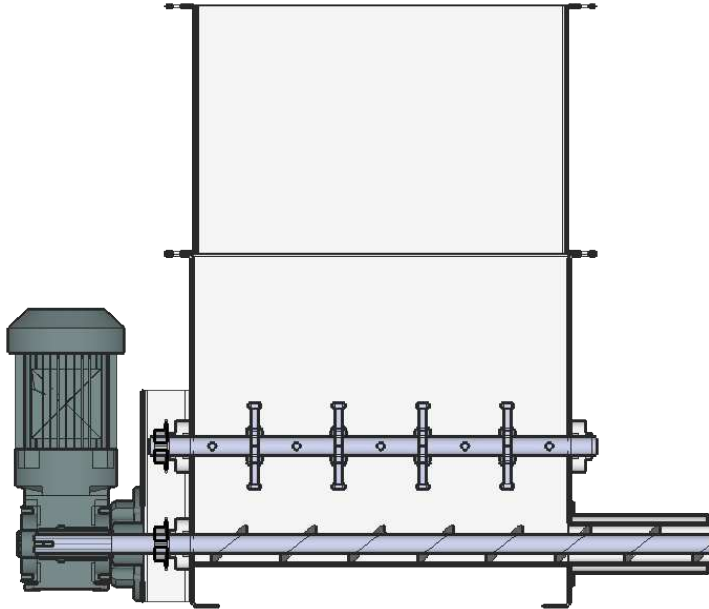
### Application areas

The **waterprocesstec Dry-Material-Feeder** is used in the treatment of municipal and industrial wastewater in sewage plants, the recycling of process and circuit water as well as the clarification of raw and surface water for the production of industrial and drinking water. Other applications (chemical industry, paper industry, power stations) are possible without doubts.

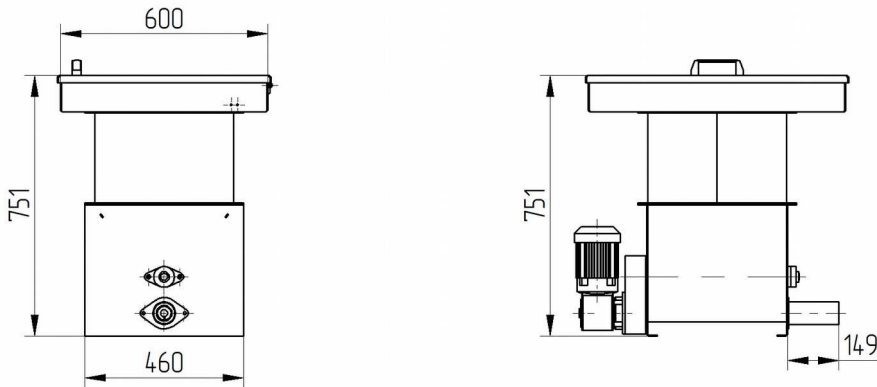
If you have any further questions, please do not hesitate to contact us.

Technical draw

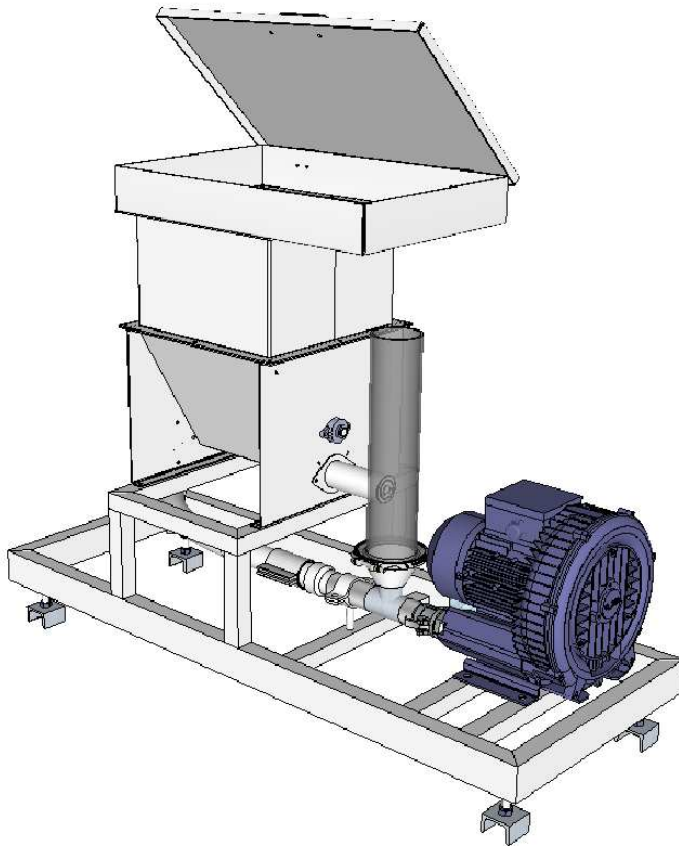
Principled structure



Dimensions (standard)



Complete Dosing Station



Technical data

Geared motor	400VAC, 50Hz, 0,25kW, optional 500VAC
Heating discharge pipe	230VAC or 24VDC (see Order code)
Filling level probe funnel	optional 24VDC, output PNP, type KI5311
Protection class	IP55
Cooling	selfcooling
TAMB	-20°C up to +45°C
Material motor	grey cast iron
Material funnel and dosing unit	stainless steel (see Order Code)
Volume funnel	ca. 50kg (see order code)
Max. dosing weight	ca. 120kg/h

Order Code TGD 301-...

Material

- A Stainless steel V2A 1.4301
- B Stainless Steel V4A

Geared motor (Voltage and Power)

- 1 Motor 400VAC, 250W
- 2 Motor 500VAC, 250W

Heating discharge pipe

- A without Heating
- B with Heating 230VAC
- C with Heating 24VDC

Other Options

- 0 no options

Filling level Sensor min.

- A without Filling level Sensor Min.
- B with capacitive Filling level Sensor type KI5311 incl. installation
- K custom design

Filling level Sensor max.

- A without Filling level Sensor Max.
- B with capacitive Filling level Sensor type KI5311 incl. installation
- K custom design

Vibrationmotor

- 0 without vibrationmotor
- 1 with vibrationmotor 230VAC
- K custom design

Mixing shaft

- A without mixing shaft
- B with 1 without mixing shaft model „screw“
- C with 2 without mixing shaft model „screw“
- D with 2 without mixing shaft model „screw/paddle“

custom design, Options

- 000 Standard